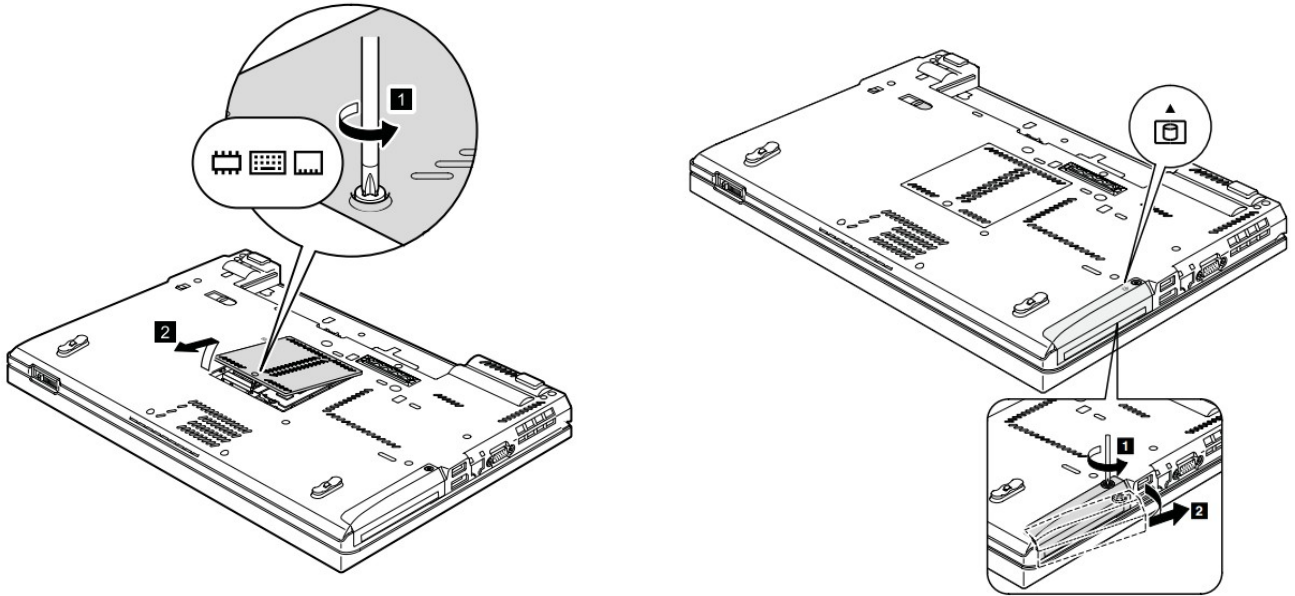


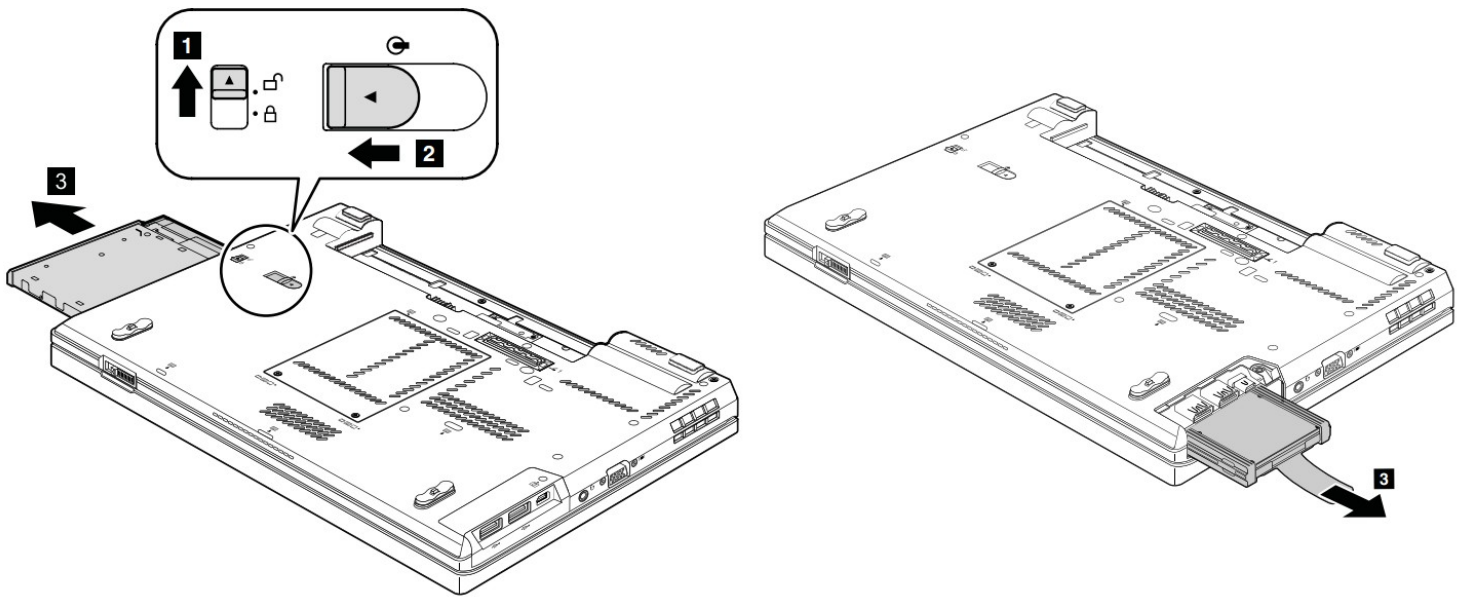
Lenovo ThinkPad T420

WARNING! Be careful when disassembling laptop. If not handled correctly, there is a chance of damaging your motherboard. We do not take any responsibility and we are not liable for any damage caused through use of this guide.

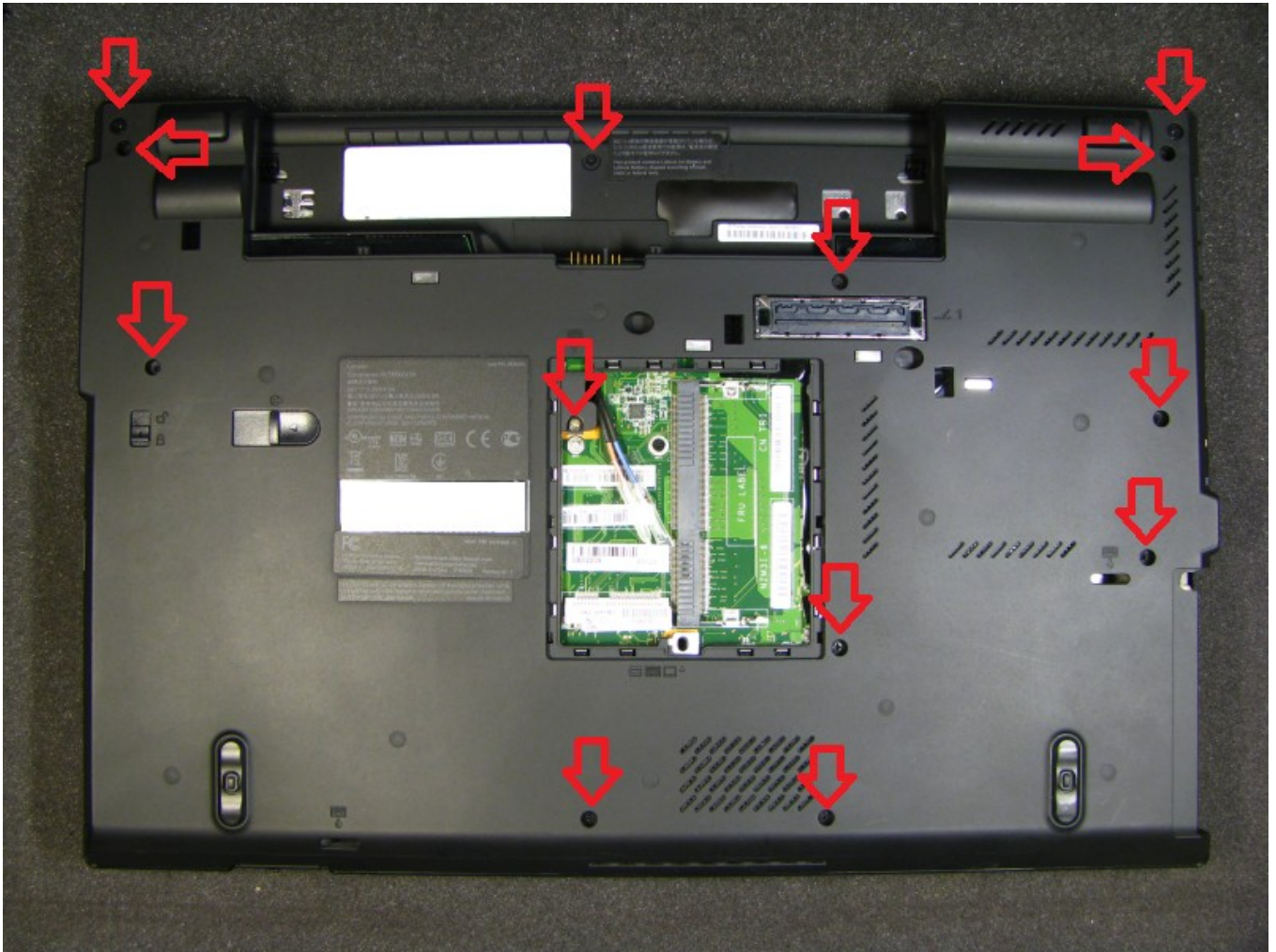
1. First remove bottom memory and HDD cover as shown on image below



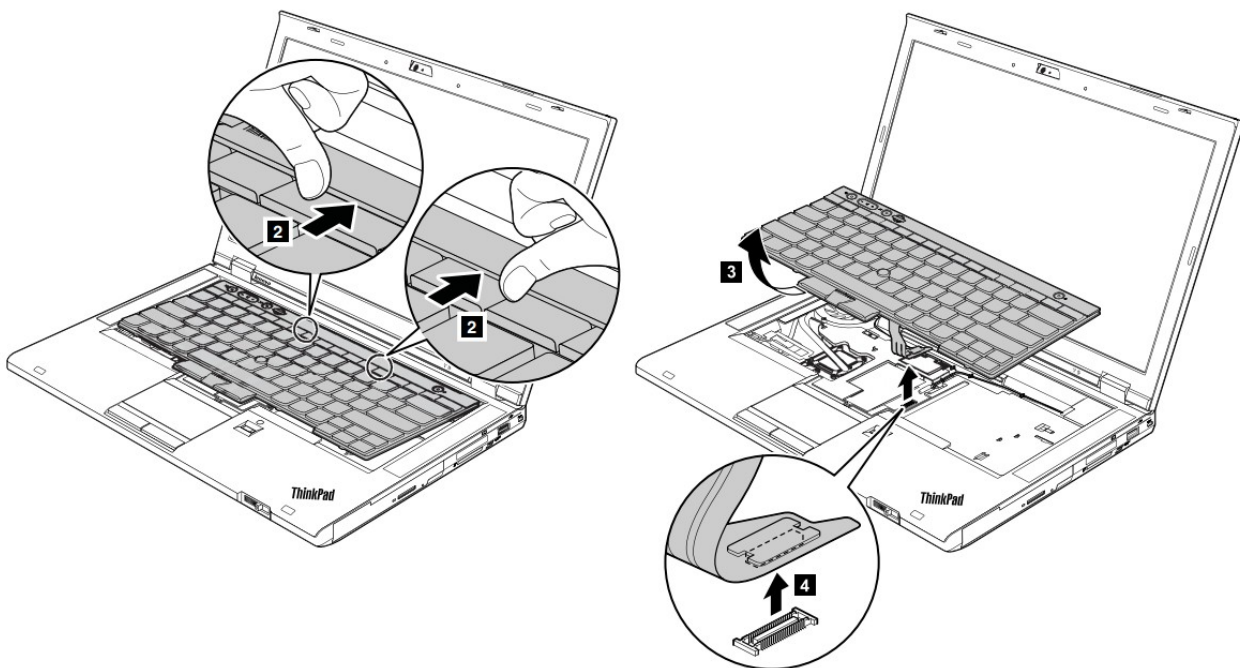
2. Pull out DVD and HDD devices



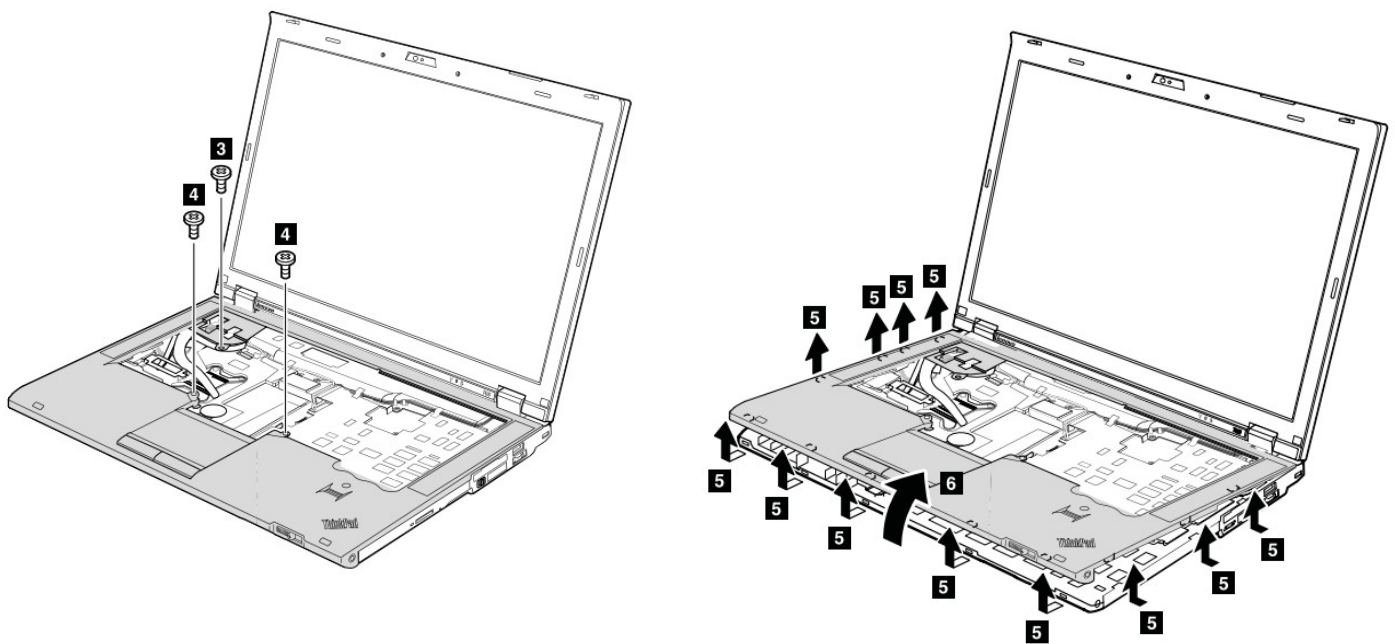
4. Unscrew all these screws from bottom base.



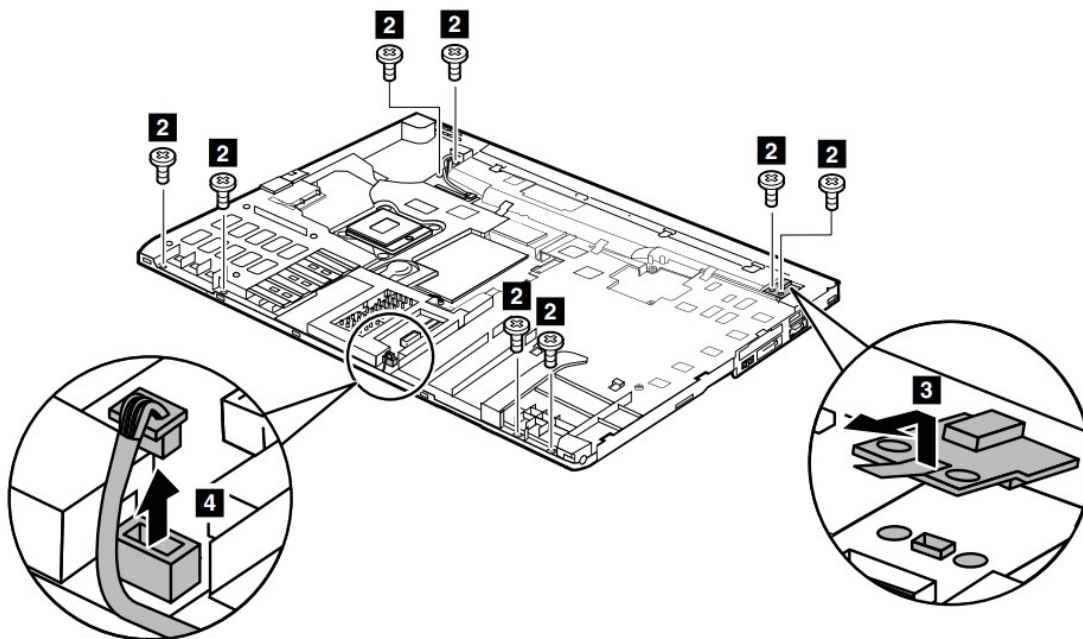
5. Remove keyboard as shown below.



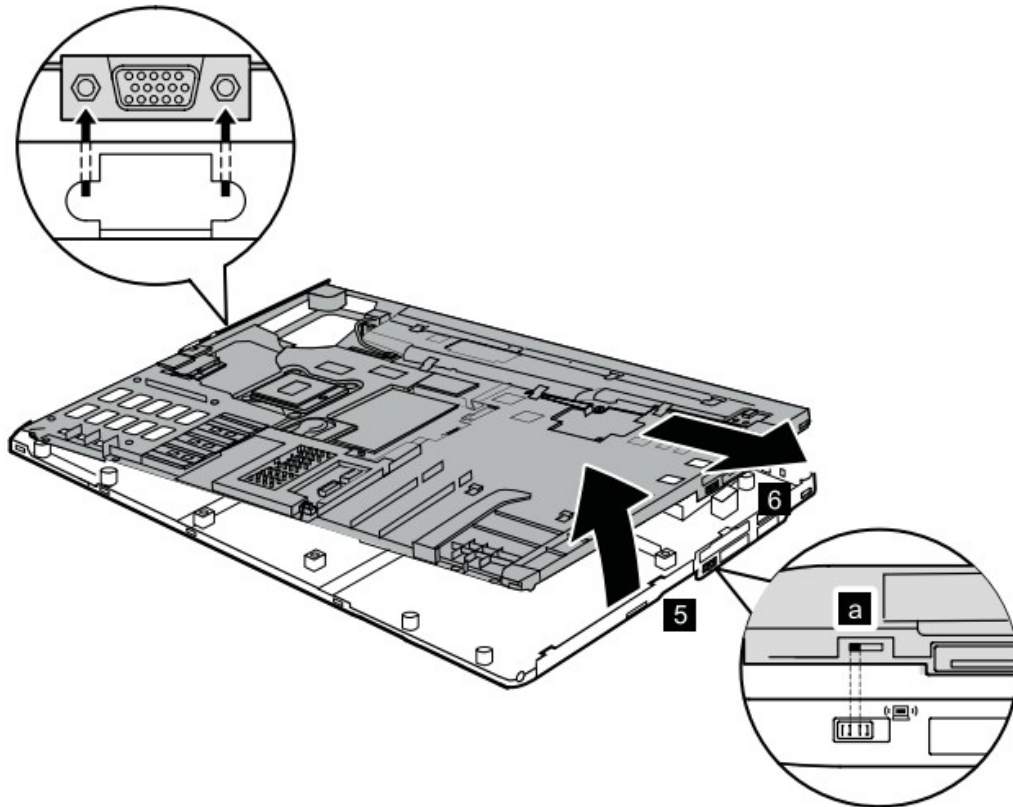
6. Remove these 3 screws and remove palmrest as shown below.



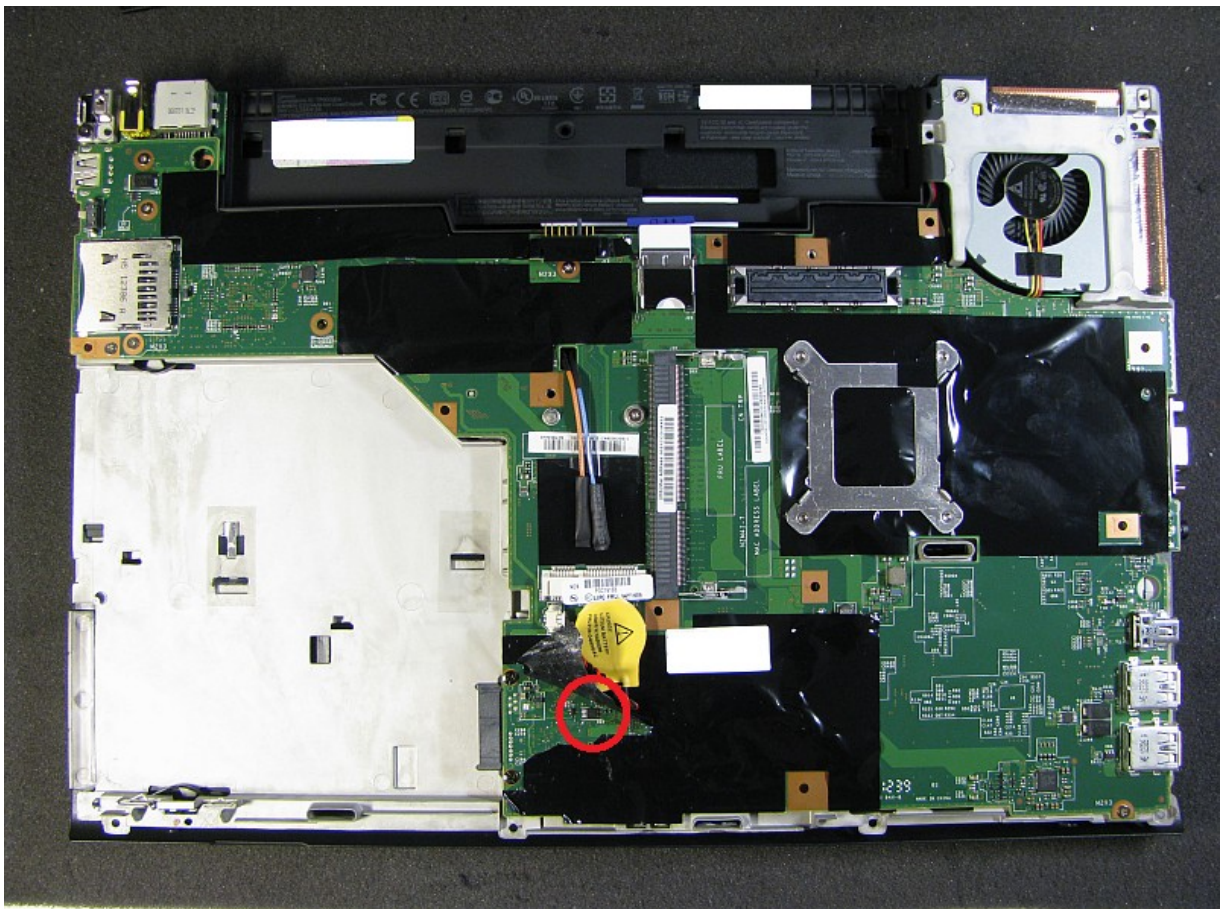
7. Unscrew these screws.



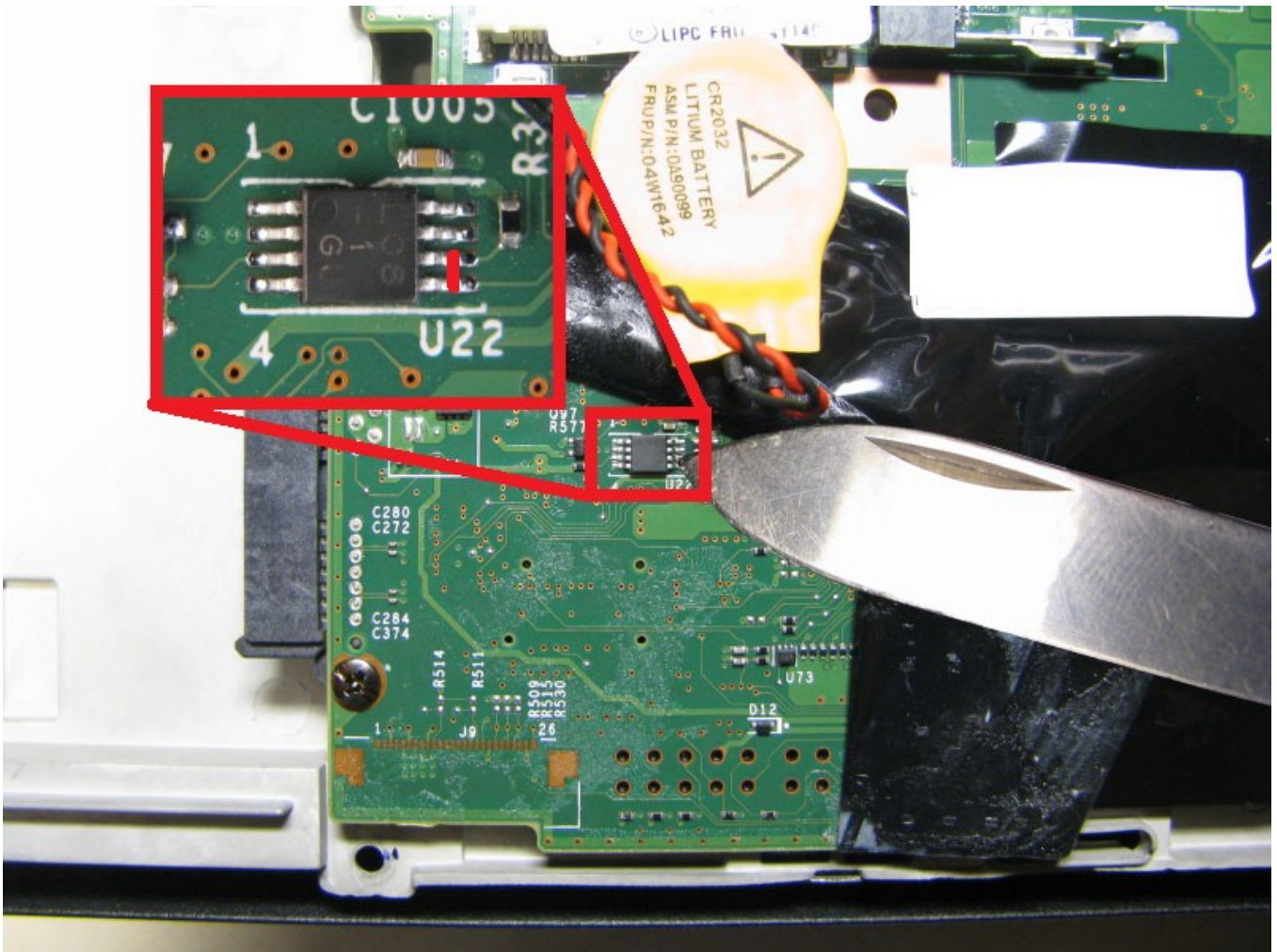
8. Remove bottom base cover as shown below.



9. Peel away plastic film as shown to reveal security chip.



10. Reconnect keyboard.
11. Power on laptop (do not short circuit pins yet!).
12. Short circuit pins as shown on image below (use tweezers/sharp knife, do NOT solder). (must do very quickly, quicker than 1 second) but wait until the screen backlight comes on
13. Same time quickly press F1 several times.
14. You should enter BIOS menu without inserting password, if not, try again.
15. Reenter Supervisor and Power On passwords with blanks (just click enter for new password). **Lambert Chambers NOT FOR RESALE**
16. Press F10 to save settings and exit.



17. Reassemble computer in reverse order.